

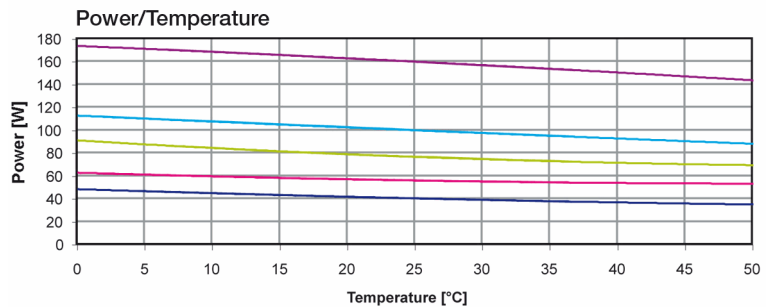
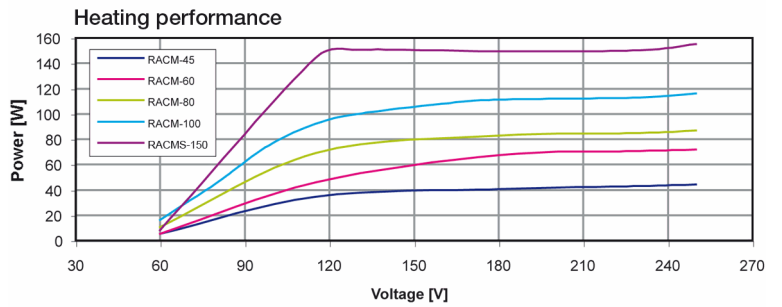
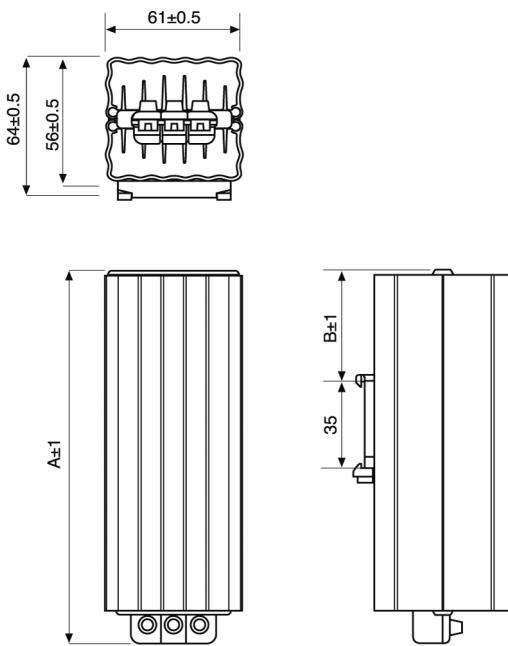
"RACM" HEATERS WITH TERMINAL

Description: 45/60/80/100/150 W



Heating element: PTC thermistor, self regulating
Heat sink: black anodised extruded aluminium profile
Method of mounting: snap-on fixing on RAIL 35mm DIN 46 277/3 EN 50 022
Rated temperature range: from -30°C to +40°C
Storage temp. range from -40°C to +90°C
Protection degree by heaters: IP20
Electrical connection: by connection with screw terminals (L-N-PE) for nominal cross-sectional area of conductors from 0.5 to 2.5 mm² class I
Appliance class: III as IEC 60664-1 standard
Over voltage categories: 230 V a.c./d.c.
Rated voltage: 110-250 V a.c./d.c.
Rated voltage range: 50/60 Hz
Rated frequency: 265 V a.c./d.c.
Max voltage: EN 60335-1
Applicable standards: CE

technical drawing



Model	Dimension		Heating Power*	Absorbed Current*	External Surface**	Internal Heat Sink**	Weight
	A [mm]	B [mm]					
RACM-100	167	58	100	475	105	130	0.41
RACM-45	117	34	45	200	70	90	0.29
RACM-60	117	34	60	260	85	105	0.29
RACM-80	167	58	80	390	90	110	0.41
RACMS-150	167	58	150	770	125	155	0.41

*The values of heating power, absorbed current, were obtained at 230 Va.c. 50Hz and at ambient temperature condition of 15±5°C after a working of 10 minutes. These values have an uncertainty of 10%. ** Temperatures have been obtained after a working of 10 minutes at ambient temperature condition of 23.5°C.

All specifications, data and drawing are subject to change without notice and are approximate. Please refer to our terms of sales including our warranty and limited liabilities clause